

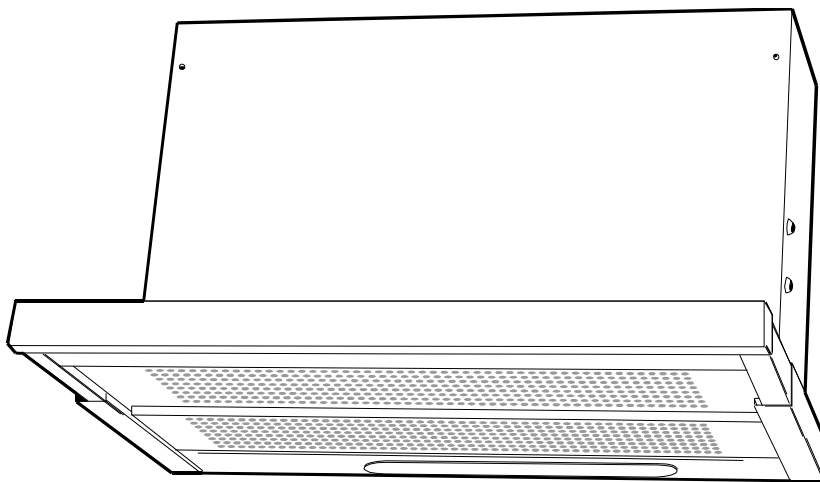


Gebrauchsanweisung, Libro de Instrucciones, Manuel d'utilisation

EFP 936 G / EFP 636

EFP 936 K / EFP 636 G / EFP 636 X

Gebruiksaanwijzing, Manual de Instruções, User Manual



Contents

Safety instructions	44
Description of the appliance	45
Function	45
Special accessories	46
Installation	46
Unpacking	46
Placement	46
Electrical connection	46
Mounting under wall cabinet	46
Extractable drawer adjustment	46
Exhausting mode	47
Recirculation mode (with carbon filter)	47
Using the hood	47
Speed regulation	47
Work light	47
Correct ventilation	48
Important to know	48
Maintenance	48
Grease filter	48
Carbon filter	48
Changing the lighting elements	48
Attention	49
If the hood does not function	49
Service and spare parts	49
Technical data	50

Congratulations to your new Cooker Hood

Thank you for your choice of an Electrolux product. We are convinced that you will have great use and pleasure from your new cooker hood.

Before you use the cooker hood we recommend that you read through the whole user manual giving a direct description of the cooker hood and its functions.

To avoid the risks, that are always present when you use a product driven by electricity, it is important that the cooker hood is installed correctly and that you read the safety instructions carefully to avoid misuse and hazard.

Save the instruction manual and keep it available at use of the cooker hood



Safety instructions

At installation and service

- The cooker hood is made for normal households with normal cooking. If it is used for other purposes there is a risk of damage which is not covered by the warranty.
- All eventual electric installation has to be carried out by a qualified electrician. The installation of the hood should be made by a person with enough knowledge. Installation made otherwise could lead to loss of performance and even injuries and /or damage on properties.
- The hood cannot be connected to flues of other appliances that run on energy sources other than electricity.
Please, keep to the provisions of official directives regarding the question of fumes discharge.
- When the hood is used at the same time of other appliances that run on energy sources other than electricity, provision must be made for an adequate supply of air.
- When installed, the hood must be not less than 43 cm. above electric burners or 65 cm. above gas or mixed-fuel burners. (Fig. 3).
- The power cord should be drawn so that there is no risk of damage. Hazard!

At use of cooker hood

- No food must be cooked flambé underneath the hood.
- The use of an unprotected flame is dangerous for the filters and could cause fires.
- Never leave the deep-frying or frying pan over a cooker/hob. The oil contained in the pan may spontaneously ignite through overheating.
- Observe the filter change or cleaning intervals. Failure to observe these intervals may cause the risk of fire through fat deposition.

Note! If a fire starts; Switch of the cooker hood and the heating zone; **Cover the fire , Never use water.**

At disposal

- Help to avoid damages even when the cooker hood should be disposed. Disconnect the power plug and cut the power cord at hood inlet. Check with the authorities for information of how to proceed for disposal.

Description of the appliance

- 1 Motor speed switch
- 2 Light switch
- 3 Extractable drawer
- 4 Suction grids with grease filter
- 5 Hob light

Standard accessories included:

- Template for mounting under cupboard
- Screws
- 4 Spacers for thinner side panels
- Duct with no return valve
- Baffle

Function

The hood may be used as follows:

- For air exhausting
- For air recycling

Exhausting

The appliance has the exhaust outlet **B** (Fig. 2) on top of motor housing.

Connect the hood to the smoke exhaust hose by using the connecting ring with no return valve **B** (Fig. 2)

Attention! In the horizontal runs the duct must be slightly slanted (about 10°) and directed upwards to vent the air easily from the room to the outside.



The hood cannot be connected to flues of other appliances that run on energy sources other than electricity.

Please, keep to the provisions of official directives regarding the question of fumes discharge.

Recycling

The air is filtered through a carbon filter and recirculated into the room.

This version is used when there is no exhaust duct for venting outdoors or when it is impossible to install one.

The filtered air is discharged by means of a Ø120 mm pipe which goes through the cupboard and whose outlet is above the cupboard.

The baffle **E** which can be fastened to outlet hole using the screw provided (Fig. 3).

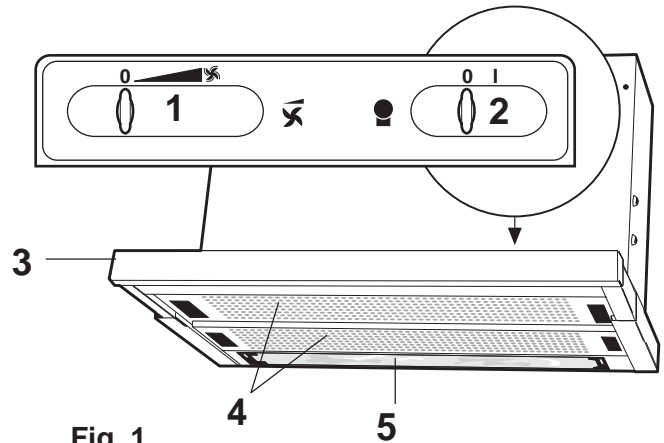


Fig. 1

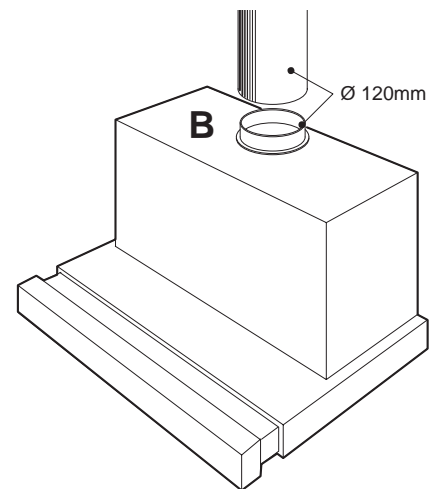


Fig. 2

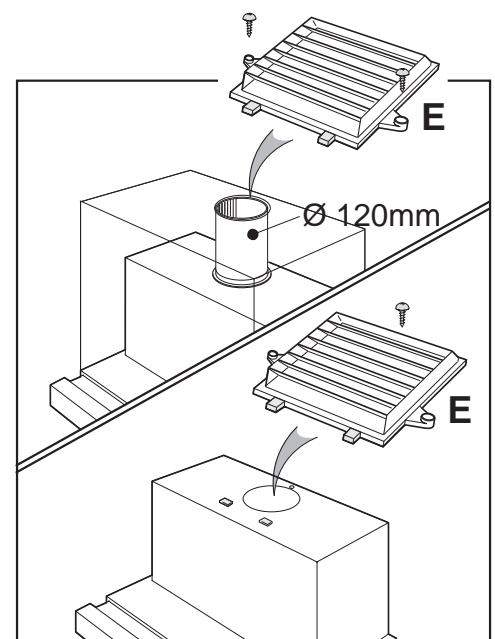


Fig. 3

Special accessories

Active carbon filter

When the hood is used in recirculation mode an active carbon filter should be used.

Order by the retailer

PNC 955 101 116

Installation

Unpacking

Check that the cooker hood has no damages. Transportation damages should immediately be reported to the one responsible for the transport. Damages, faults and eventually missing details should immediately be reported to the seller.

Take care of the packing material so that small children cannot play with it.

Placement

The hood is to be mounted in a wall cabinet.

When installed, the hood must be not less than 43 cm. above electric burners or 65 cm. above gas or mixed-fuel burners. (Fig. 4).

Electrical connection

The hood has a power cord with moulded plug with earth connection to be connected to a wall outlet of 230 V.

The power cord length is 1,6 m.

Mounting under wall cabinet

- Fit the drilling template which comes with the hood on the inner right side of the cabinet making sure printed arrow coincides with back part (Fig. 5).
- Make holes as indicated on template (Fig. 5).
- Perform the same operations on the inner left side.
- In case of side panels with a thickness of 16 mm, fit 4 spacers **G** on the slots of the fan housing used for side fixing.
- Use screws **F** (4.5x16) to fasten the hood to the cabinet (Fig. 5).

Extractable drawer adjustment

The hood can be installed in cabinets with different depths, the front of the box must always be in line with the cabinet.

For alignment adjust the back stops of the box.

For box adjustment, loosen screws **M** and slide square plates **P** as necessary and tighten screws **M** (Fig. 6).

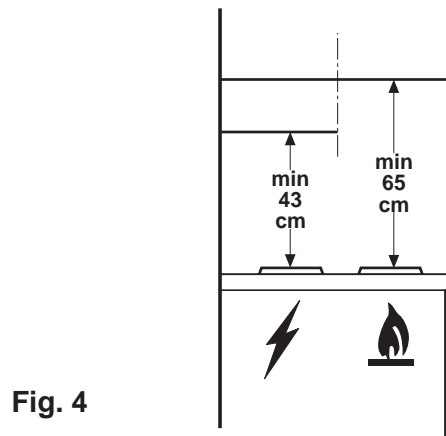


Fig. 4

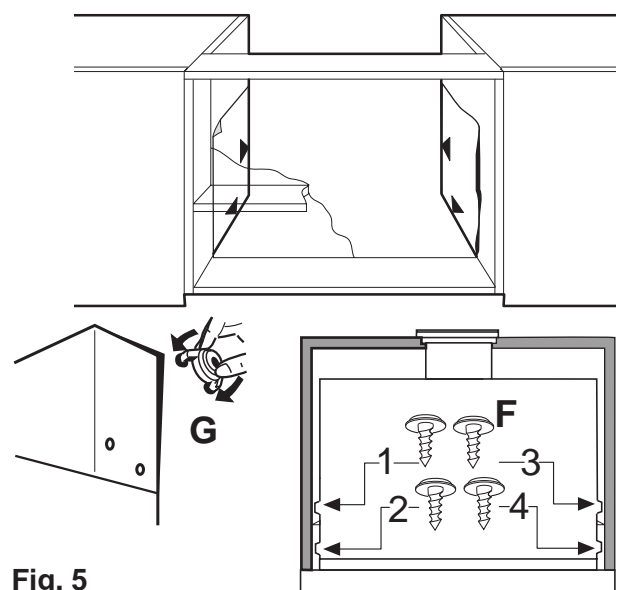


Fig. 5

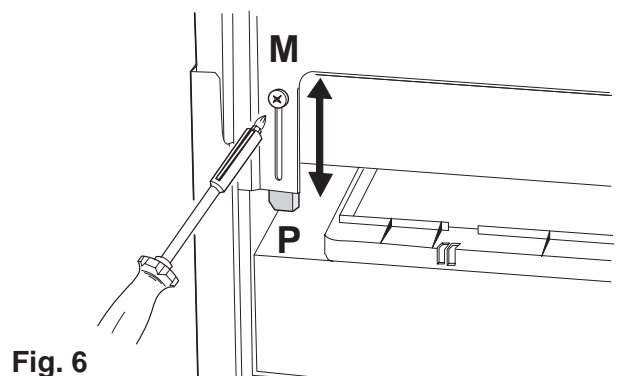


Fig. 6

Exhausting mode

- Connect the air outlet to the smoke exhaust hose

Recirculation mode (with carbon filter)

- Open the grid (A - fig. 7).
- Insert the filter in the place provided and use the two hooks D to fasten it (fig. 7).
- The filtered air is discharged by means of a Ø120 mm pipe which goes through the cupboard and whose outlet is above the cupboard.
- The baffle E which can be fastened to outlet hole using the screw provided (fig. 3).
- Refit the grid.

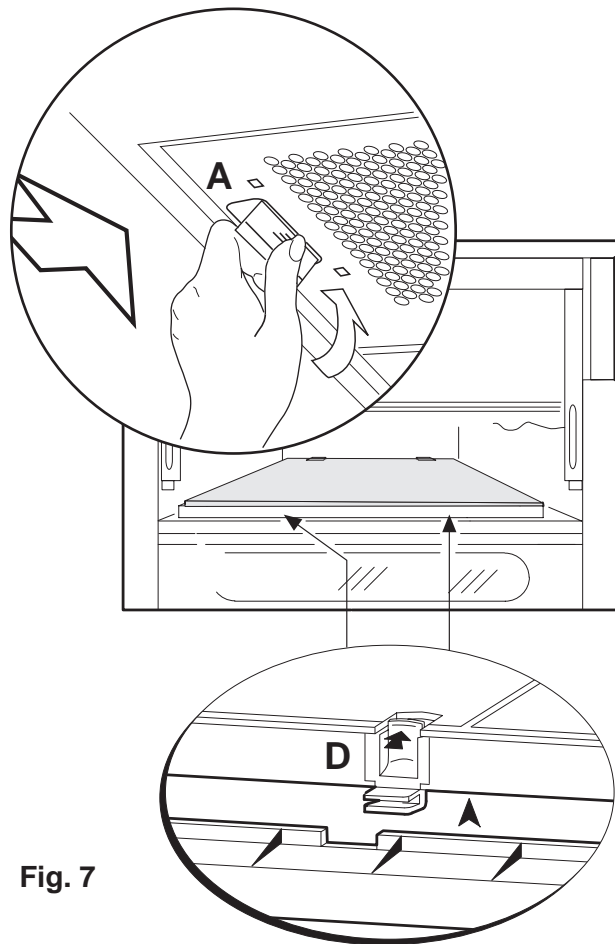


Fig. 7

Using the hood

Speed regulation

The hood is provided with a motor with continuous speed regulation plus a position for intensive operation. For the best performance, we recommend using the low speeds in normal conditions and the high speeds or intensive in particular cases of strong odour and vapour concentration.

We recommend starting up the hood a few minutes before cooking and keeping it running until all the odours have been eliminated.

The hood is equipped with a microswitch that activates the pre-selected fan speed when the extractable drawer is opened.

Work light

The hood has one low energy lamp 11 W PL. Switch on and off with the right slide switch. Also the light will when switched on be automatic with help of the drawer microswitch.



Correct ventilation

To have the cooker hood working correctly the windows in the kitchen should be closed. In stead a window in an adjacent room should be open.

Important to know

If the hood is run at the same time as a burner or fireplace that depend on ambient air (for example gas, Diesel, coal or wood heaters, water heaters, etc.) be careful, because the hood, when it exhausts the air, removes the ambient air required by the burner or fireplace for combustion.

Not valid if the cooker hood is used in recirculation mode.

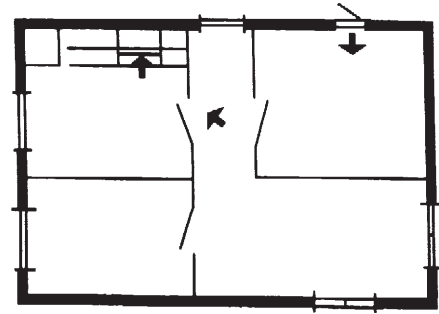


Fig. 8

Maintenance



Before performing any maintenance operation, disconnect the hood from the electricity.

Grease filter

This serves to hold the grease particles in suspension. The metal filter should be washed every month with warm soapy water or, if possible, in the dishwasher (60°C).

Remove the filter (EFP 636):

- Open completely the extractable drawer
- Use handle **A** to remove the filter from its seat (fig. 7).
- (Only EFP 936): remove central plastic strip **Z** to free the two filter panels (Fig. 9).

Clean the panels support as well.

Leave to dry before refitting it.

Carbon filter

This filter dissolves cooking odours.

It should be changed every 6-8 months in normal use. Ask the technical assistance service or manufacturing company for a new one.

The carbon filter must never be washed.

To remove the carbon filter press the two keys **D** (Fig. 7) and pull the filter slightly forwards to free it.

Changing the lighting elements

- Disconnect the hood from the electricity.
- Remove the lamp cover **P** by pushing simultaneously two unlocking button **R** (Fig. 10).
- Replace the damaged part with one of equal rating.

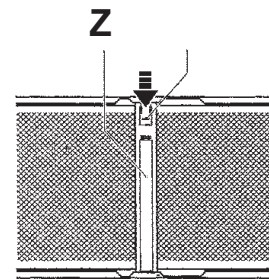


Fig. 9

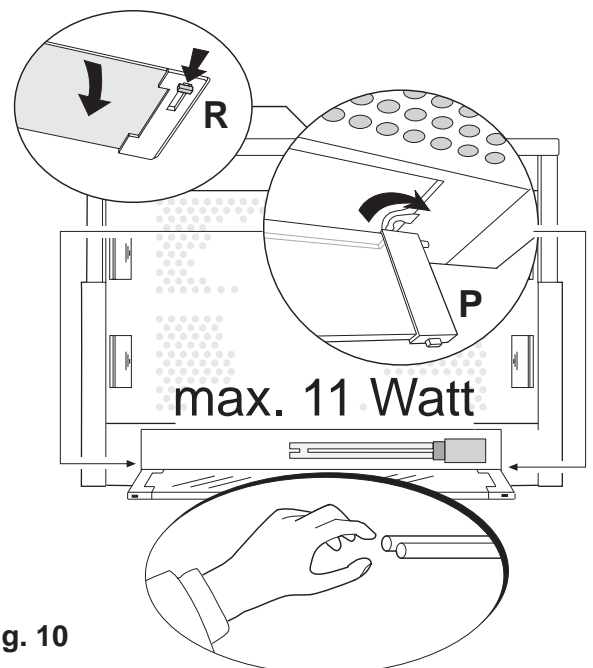


Fig. 10

Attention

Failure to observe the rules for cleaning the appliance and changing and cleaning the filters may cause fires. Therefore, we recommend observing these instructions.

Cleaning

To clean the outside of the hood use a cloth moistened with denatured alcohol or neutral liquid detergents. Never use products containing abrasives.

If the hood does not function

Before you make contact to service

Check that the power plug is connected to the wall power outlet and that no fuse is blown. Do not do any operations that can cause hazard or damage to the product. If the problem remains contact your dealer or an approved service company

Remember to save the purchase recite and the Warranty card (only used in some countries)

Service and spare parts

Service and spare parts you will get via your dealer or service company.

When you order service or spare parts you should be ready to give the product number and model denomination. This information you will find on the rating label.

Take away the grease filter and you will find the rating label behind.

Model: _____

Product number: _____

Date of purchase: _____

